

Trespa Perspectives Character

Illuminating ideas for building façades

DISCLAIMER

General

These terms apply to the use of this document and such use automatically means that the other party agrees to these terms. The information provided by Trespa International B.V. ("Trespa") in this document is solely indicative. Trespa is unable to warrant the accuracy and completeness of this information. Trespa may change the information included in this document at any time and without further notice. Trespa's customers and third parties must ascertain that they have the most recent document (for the most recent version, please consult: www.trespa.com). No rights can be derived from the information provided; the use of the information is at the other party's risk and responsibility.

Trespa does not warrant that the information in this document is suitable for the purpose for which it is consulted by the other party. This document does not contain any design, structural calculation, estimate or other warranty or representation that customers and third parties may rely on. This document does not guarantee any properties of Trespa products. Colours used in Trespa's communications (including but not limited to printed matter) and in samples of Trespa's products may differ from the colours of the Trespa products to be supplied. Samples are not intended for use in product tests

and are not representative of characteristics of the Trespa products. Trespa's products and samples are produced within the specified colour tolerances and the colours (of production batches) may differ, even if the same colour is used. The viewing angle also influences the colour perception. Metallics panels feature a surface whose colour appears to change based on the direction from which it is viewed. The specified colour stability and colour specifications relate only to the decorative surface of the Trespa products, not to the core material and samples of the Trespa products. Trespa products are delivered ex-works with straight, sawn sides.

Customers and third parties must have a professional adviser inform them about (the suitability of) the Trespa products for all desired applications and about applicable laws and regulations. Trespa does not warrant the above.

The most recent version of the current delivery programme and the Material Properties Datasheet can be found at www.trespa.info. Only the information in the most recent and valid Material Properties Datasheet should be used to select and provide advice regarding Trespa products. Trespa reserves the right to change (the specifications for) its products without prior notice.

CONTACT US

Trespa International B.V.
P.O. Box 110, 6000 AC Weert
Wetering 20, 6002 SM Weert
The Netherlands
www.trespa.com

**Customer Service Desk
EMEA Export**
Tel: +31 (0) 495 458 359 / 573
Fax: +31 (0) 495 458 383
infoexport@trespa.com

Trespa UK Ltd.
Grosvenor House
Hollinswood Road
Central Park, Telford
Shropshire, TF2 9TW
United Kingdom
Tel: +44 (0) 1952 290707
Fax: +44 (0) 1952 290101
info@trespa.co.uk

Trespa North America Ltd.
12267 Crosthwaite Circle
Poway, CA 92064
United States of America
Tel: 1-800-487-3772
Fax: 1-858-679-9568
info.northamerica@trespa.com

Trespa China Co. Ltd.
Room 2604-05, HuaiHai Plaza
No. 1045 HuaiHai Road (central)
ShangHai 200031
P.R. China
Tel: +86 (0) 21 6288 1299
Fax: +86 (0) 21 6288 1296
infochina@trespa.com

**Customer Service Desk
Asia/Pacific**
Tel: +86 (0) 21 5465 8388
Fax: +86 (0) 21 5465 6989
infoapac@trespa.com

Liability

Trespa is not liable (neither contractual nor non-contractual) for any damage arising from or related to the use of this document, except if and to the extent that such damage is the result of wilful misconduct or gross negligence on the part of Trespa and/or its management. The limitation of liability applies to all parties affiliated with Trespa, including but not limited to its officers, directors, employees, affiliated enterprises, suppliers, distributors, agents, and representatives.

General conditions

All oral and written statements, offers, quotations, sales, supplies, deliveries and/or agreements and all related activities of Trespa are governed by the Trespa General Terms and Conditions of Sale (*Algemene verkoopvoorwaarden Trespa International B.V.*) filed with the Chamber of Commerce and Industry for Noord- en Midden-Limburg in Venlo (NL) on 11 April 2007 under number 24270677, which can be found on and downloaded from the Trespa website, www.trespa.com.

All oral and written statements, offers, quotations, sales, supplies, deliveries and/or agreements and all related work of Trespa North America, Ltd. are governed by the Trespa General Terms and Conditions of Sale, which can be found on and downloaded from the

www.trespa.com/na. A copy of these general conditions of sale will be provided free of charge on request.

All general terms and conditions other than the conditions mentioned above are dismissed and do not apply, regardless of whether such terms and conditions are referred to on requests for offers, offer confirmations, stationery and/or other documents of the other party, even if Trespa does not expressly object to such terms and conditions.

Intellectual property

All intellectual property rights and other rights regarding the content of this document (including logos, text and photographs) are owned by Trespa and/or its licensors. Any use of the content of this document, including distribution, reproduction, disclosure, storage in an automated data file or the dispatch of such a file without Trespa's prior written consent is explicitly prohibited. © Trespa, Meteon, Athlon, TopLab, TopLab^{PLUS}, TopLab^{ECO-FIBRE}, Virtuon, Volkern, Trespa Essentials and Mystic Metallics are registered trademarks of Trespa.

Questions

Should you have any questions or comments, please do not hesitate to contact Trespa.

www.trespa.com

VISIT US

**Trespa Design Centre
New York**
62 Greene Street (Ground Floor)
New York, NY 10012
United States of America
Tel: 1-212-334-6888
Fax: 1-866-298-3499
info.ny@trespa.com
www.trespa-ny.com

**Trespa Design Centre
Barcelona**
Calle Ribera 5,
08003 Barcelona
Spain
info.barcelona@trespa.com

Let your
creativity flow,
think Trespa

code: U2615 date: 04-2011 copies: 500

Please visit www.trespa.com
for the most up to date version
of this document.

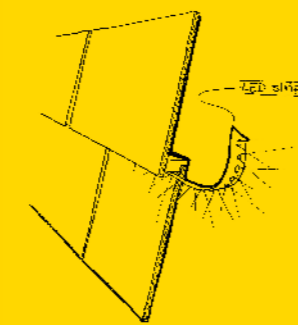
TRESPA®



Light creates an atmosphere and sets accents. It gives shape to shadows, and motion to spaces and surfaces.

A waterfall of brightness

Playing with light and its effects. A waterfall of ideas. With an innovative, distinct identity as the result.



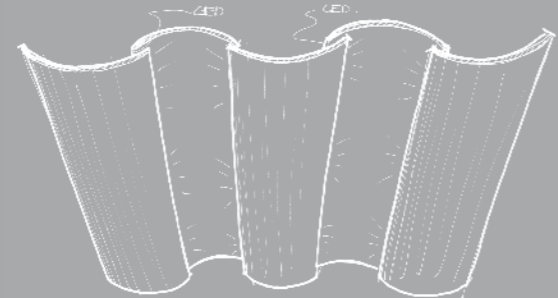
Character

for building façades

Trespa Perspectives gives architects an inspiring view of the future. A source of ideas, new techniques, colours and shapes. Themes like Character, Rhythm and Depth give new impulses to façade design. Now Trespa has introduced the use of light to add a further dimension to the Character theme. What was invisible is brought to the fore, straight lines become curves and colours undergo a true metamorphosis. By illuminating the façade's panels or joints by means of the latest LED technology, which does not place an unfair burden on the environment or your budget, your design is guided into the night where it will take on a surprising and distinct identity. Just like Trespa it is cost-effective and maintenance-friendly.

Light can lift surfaces out of their anonymity and give buildings an exciting appeal. Subdued and chic or lavishly bathed in light.

Sensational curves



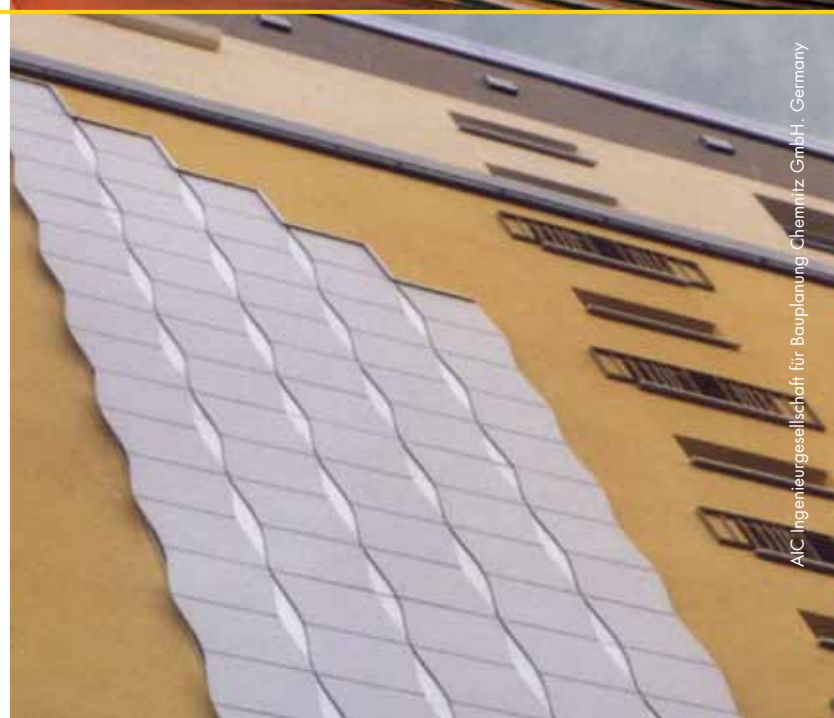
Light up your design

Experience how lighting can make a difference like day and night. A breath-taking design is replaced by its counter-image at night.



Inspiration comes to life
With a broad range of colours, finishes and tactile effects, Trespa Meteon brings compelling aesthetic and nearly limitless design possibilities to next-generation architectural claddings. Depending on the architectural concept, Trespa Meteon can contribute effectively to energy efficient, healthy building designs with a positive impact on long-term performance and value. Come and be inspired: <http://perspectives.trespa.com>

The designs shown in this brochure are for inspiration only and have not been submitted to specific tests. Actual designs may vary, depending on specific location, regulations and circumstances. Design and fixing systems may influence possible end results. Trespa Meteon is CE marked and fully complies with the EU standard. Always check if the desired design is in accordance with any national and/or local building regulations and specifications.



LED SOLUTIONS IN THE SPOTLIGHT

What is an LED?

Light Emitting Diodes, usually known as LEDs, are semiconductors which give off light. An LED consists of the original LED chip (a semi-conductor crystal) combined with a carefully determined amount of another semiconductor material, a reflector, a contact wire and a plastic housing. The housing concentrates the light which is created when a current is passed through the LED chip.

Technically speaking, an LED can be described as a valve which lets electrical current pass in one direction only. This means that LEDs must be applied in the direction in which the current passes to enable them to light up. The LEDs are connected to a DC circuit: the anode is connected to the positive pole and the cathode to the negative pole.

Colour

LED colours are determined by the various semiconductor materials used. LEDs of different colours all have their own forward voltages. LEDs are available in the following single colours: warm white, white, blue, green, yellow and red. All colours of the colour spectrum can be programmed in RGB.

Thanks to the unique properties of LEDs, i.e. their bright colours, compact dimensions, low power consumption, UV and infrared free light, easy controllability and long life (50.000 light hours and more are achievable values), LEDs have come to be used in a wide range of applications. In addition, LEDs develop little heat, making them easy to use.



LED-SYSTEM

The LED strips are the only elements of the system that are located on the exterior building façade. The control device is located inside the building. Since only 12V/24V is required on the outside of the building, in most countries no special rules or legislation have to be taken into account.

The LED strips can be extended quite easily by interlinking them.

LED strips are not supplied by Trespa. In this brochure we are only illustrating a few design solutions.

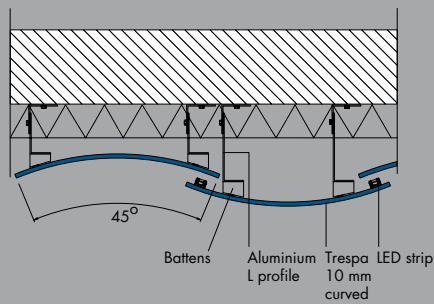


Arch.: Fred Montijn, Zilver
product design, The Netherlands

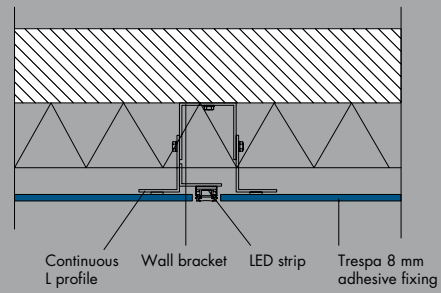


COMPLETED CONCEPTS

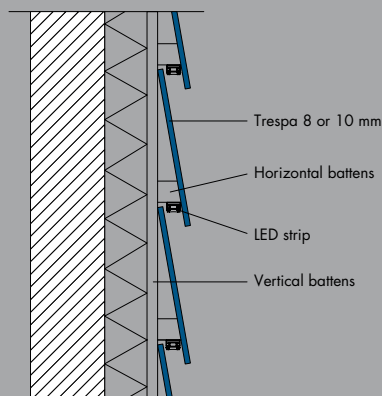
Curved segments



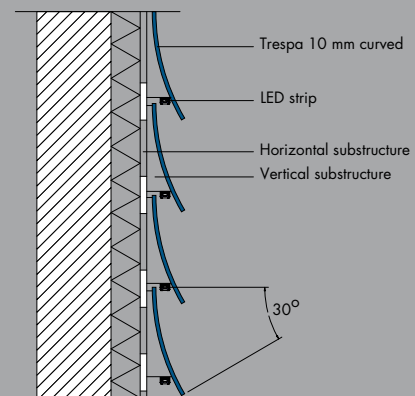
Illuminated joints



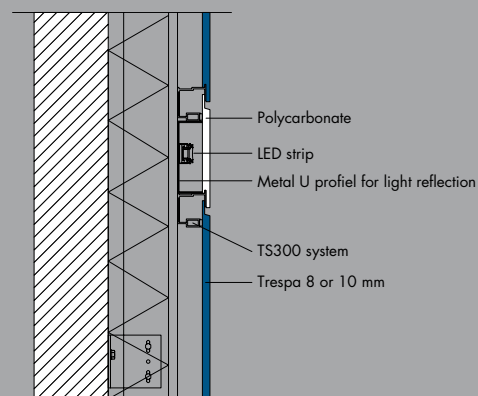
Bevelsiding flat



Bevelsiding curved



TS300



The designs shown in this brochure are for inspiration only and have not been submitted to specific tests. Actual designs may vary, depending on specific location, regulations and circumstances. Design and fixing systems may influence possible end results. Trespa Meteon is CE marked and fully complies with the EU standard. Always check if the desired design is in accordance with any national and/or local building regulations and specifications.



